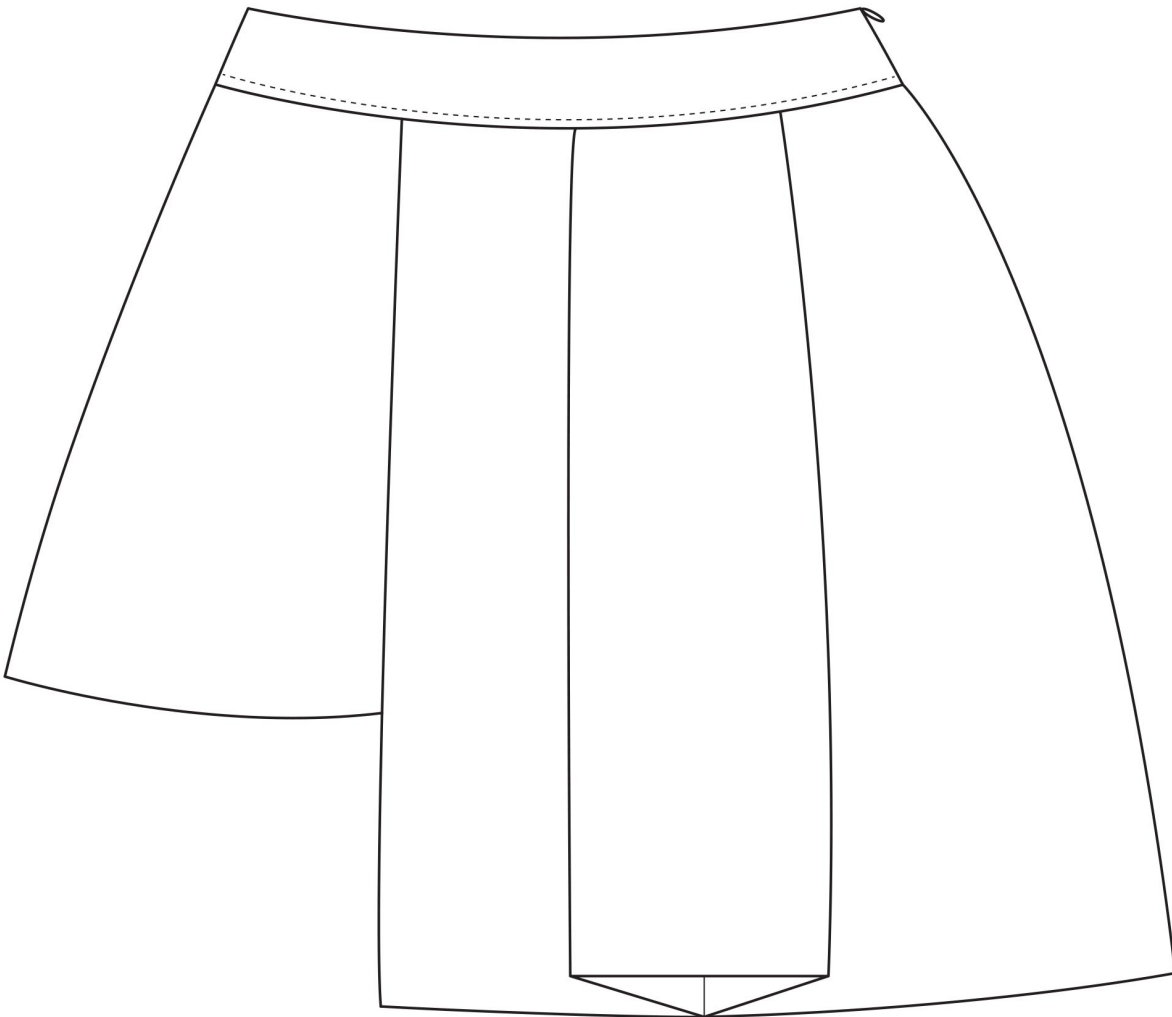


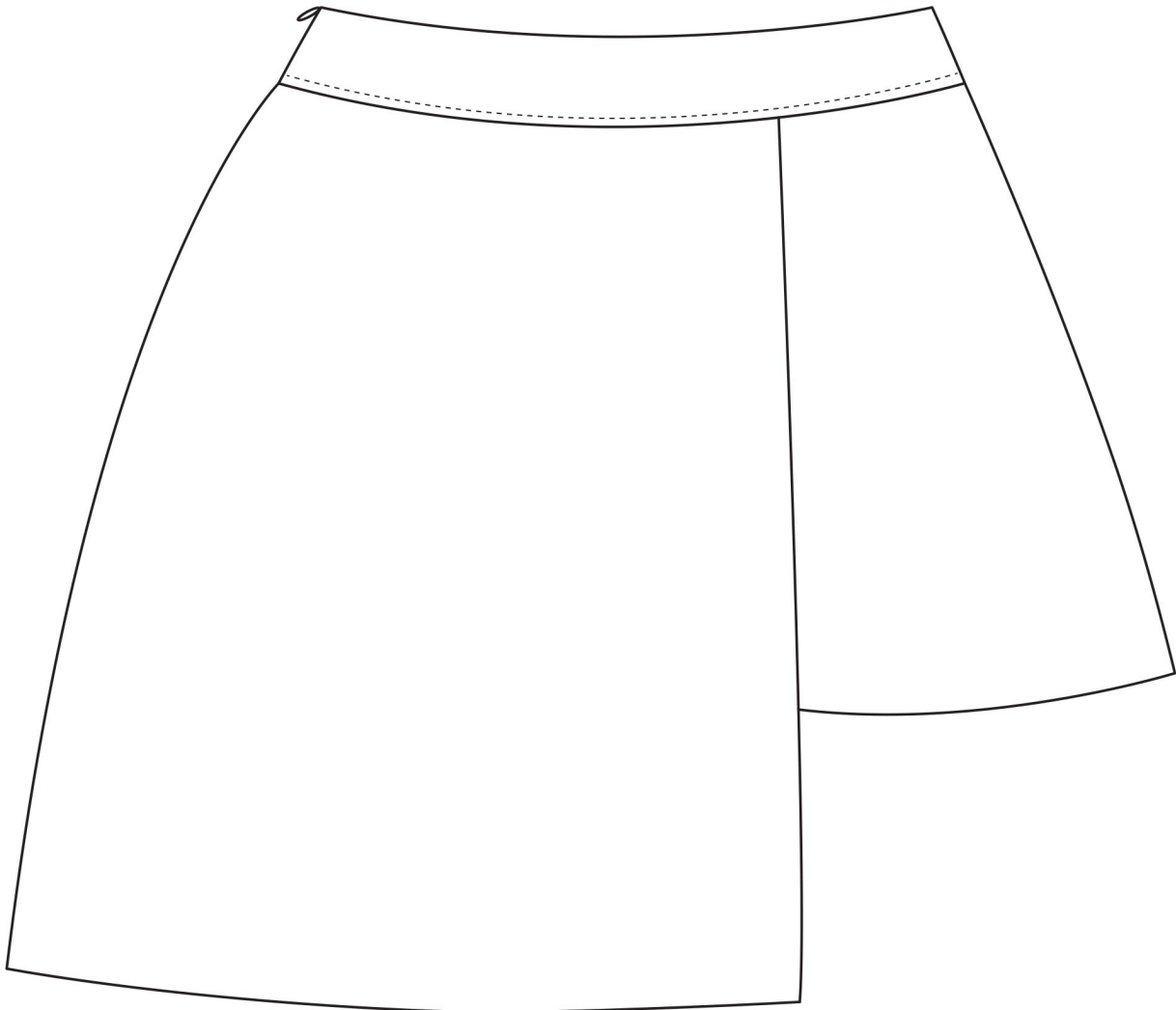
MACHXLE COLLECTION**FRONT VIEW**

PROTO#	KTL2001	SIZE RANGE:	Missy, 4-18
STYLE#	SP1501	SAMPLE SIZE:	8
SEASON:	Spring 2015	DESIGNER:	Kathy Le
	A-Line Pleated		
	Asymmetrical		
NAME:	Skirt	DATE FIRST SENT:	Feb 23 2015
FIT TYPE:	Relax	DATE REVISED:	Feb 24 2015
			Woven Cotton
BRAND:	MachXLe	FABRICATION:	Polyester Blend
STATUS:	Prototype-1		



MACHXLE COLLECTION**BACK VIEW**

PROTO#	KTL2001	SIZE RANGE:	Missy, 4-18
STYLE#	SP1501	SAMPLE SIZE:	8
SEASON:	Spring 2015	DESIGNER:	Kathy Le
	A-Line Pleated		
	Asymmetrical		
NAME:	Skirt	DATE FIRST SENT:	Feb 23 2015
FIT TYPE:	Relax	DATE REVISED:	Feb 24 2015
			Woven Cotton
BRAND:	MachXLe	FABRICATION:	Polyester Blend
STATUS:	Prototype-1		



MACHXLE COLLECTION
SPECIFICATION CHART FOR SAMPLE SIZE

PROTO# KTL2001	SIZE RANGE: Missy, 4-18
STYLE# SP1501	SAMPLE SIZE: 8
SEASON: Spring 2015 A-Line Pleated Asymmetrical	DESIGNER: Kathy Le
NAME: Skirt	DATE FIRST SENT: Feb 23 2015
FIT TYPE: Relax	DATE REVISED: Feb 24 2015 Woven Cotton
BRAND: MachXLe	FABRICATION: Polyester Blend
STATUS: Prototype-1	

Code	SKIRT SPEC Measurements	Tol (+)	Tol (-)	SAMPLE size 8
A-A	Front Waistband	½	½	22.57/64
A-B	Front Left Short Skirt Waist Panel Width	¼	¼	6.1/32
A-C	Front Left Panel Width of Waist Right Side of Skirt	¼	¼	4.43/64
A-D	Front Pleat Width of Waist Right Side of Skirt	¼	¼	6.27/64
A-E	Front Right Panel Width of Waist Right Side of Skirt	¼	¼	5.23/64
A-F	Front Left Short Skirt Hem	½	½	12.3/32
A-G	Front Left Panel Width of Right Side of Skirt Hem	½	½	4.13/32
A-H	Front Pleat Width of Right Side of Skirt Hem	½	½	9.11/64
A-I	Underlay of Skirt Pleat	¼	¼	10.15/16
A-J	Front Right Panel Width of Right Side of Skirt Hem	½	½	11.3/32
A-K	Front Right Long Skirt Hem (Including Pleat Width)	½	½	15.31/64
A-L	Total Front Skirt Hem	1	1	27.19/32
A-M	Outer Length of Short Skirt	¼	¼	11.00
A-N	Short Skirt Length Sewn to Long Skirt	½	½	10.27/32
A-O	Difference Between Short & Long Skirt	½	½	2.1/4
A-P	Long Skirt Length When Sewn to Short Skirt	½	½	13.3/32
A-Q	Outer Length of Long Skirt	½	½	13.3/32
A-R	Total Skirt Waist	½	½	31.7/64
A-S	Back Side Long Skirt Hem	½	½	20.1/64
A-T	Back Side Short Skirt Hem	½	½	4.3/4
A-U	Total Skirt Hem	1	1	24.17/32
A-V	Total Skirt Hem (Including Pleat)	1	1	62.1/4
A-W	Zipper Length	½	½	6.00
A-X	Back Side Long Skirt Length When Sewn to Short Skirt	½	½	12.11/16
A-Y	Back Side Short Skirt Length Sewn to Long Skirt	½	½	10.17/32
A-Z	Back Side Difference Between Short & Long Skirt	½	½	1.29/32
A-A1	Waist Band Length	½	½	3.00
A-A2	Back Waist	½	½	15.1/32

MACHXLE COLLECTION

SPECIFICATION CHART FOR ALL SIZES

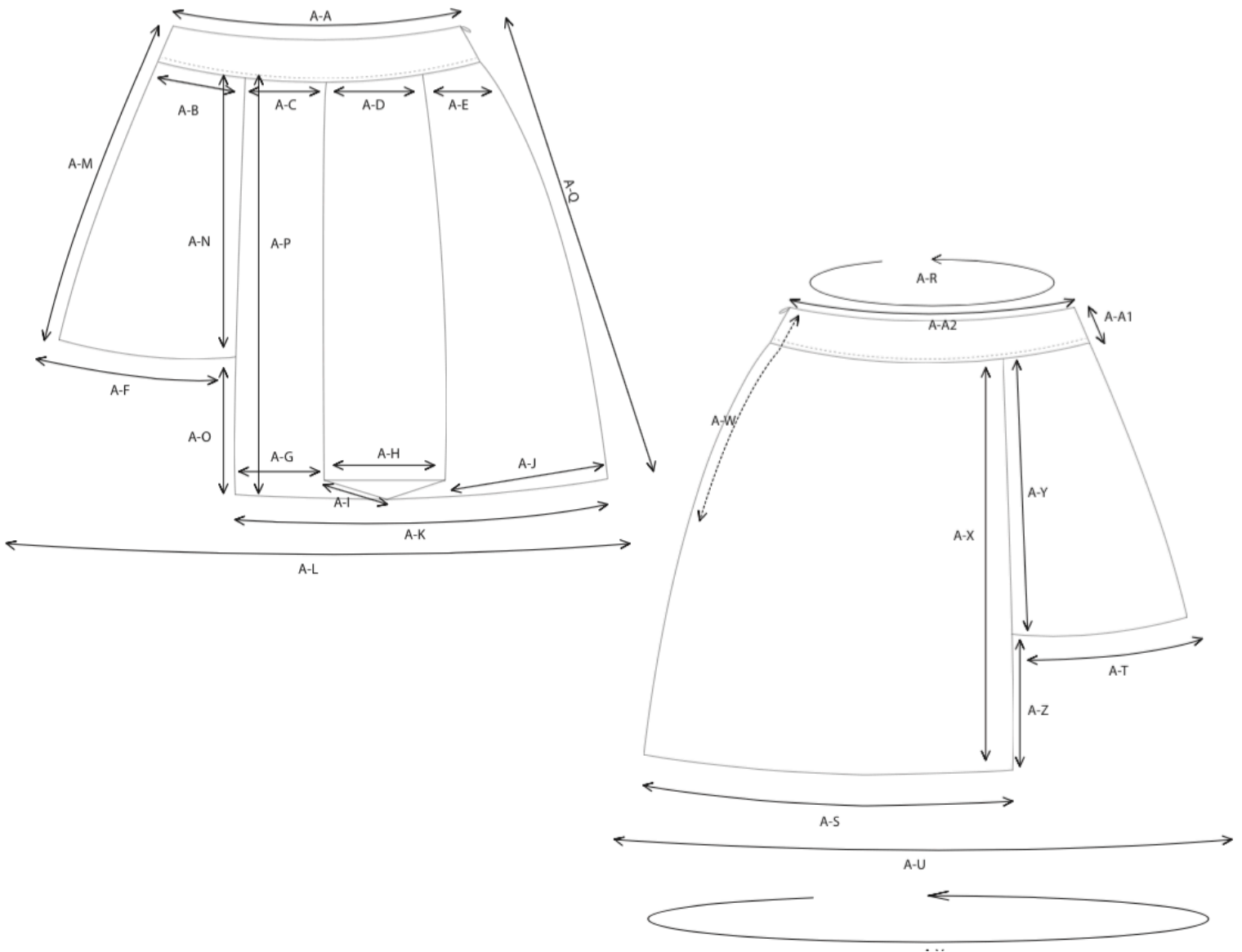
PROTO#	KTL2001	SIZE RANGE:	Missy, 4-18
STYLE#	SP1501	SAMPLE SIZE:	8
SEASON:	Spring 2015	DESIGNER:	Kathy Le
	A-Line Pleated Asymmetrical		
NAME:	Skirt	DATE FIRST SENT:	Feb 23 2015
FIT TYPE:	Relax	DATE REVISED:	Feb 24 2015
			Woven Cotton
BRAND:	MachXLe	FABRICATION:	Polyester Blend
STATUS:	Prototype-1		

Measure	4	6	8	10	12
A-A	22.3/16	22.15/32	22.57/64	23.5/16	23.57/64
A-B	5.27/64	5.43/64	6.1/32	6.13/32	6.29/32
A-C	4.3/8	4.1/2	4.43/64	4.27/32	5.3/32
A-D	6.3/8	6.13/32	6.27/64	6.29/64	6.31/64
A-E	5.1/32	5.5/32	5.23/64	5.9/16	5.53/64
A-F	11.15/64	11.39/64	12.3/32	12.19/32	13.7/32
A-G	4.11/64	4.17/64	4.13/32	4.17/32	4.11/16
A-H	9.9/64	9.5/32	9.11/64	9.3/16	9.7/32
A-I	10.3/8	10.5/8	10.15/16	11.1/4	11.41/64
A-J	10.17/32	10.49/64	11.3/32	11.13/32	11.13/16
A-K	14.45/64	15.3/64	15.31/64	15.59/64	16.1/2
A-L	25.15/16	26.21/32	27.19/32	28.17/32	29.45/64
A-M	10.25/64	10.11/16	11.00	11.5/16	11.21/32
A-N	10.11/32	10.19/32	10.27/32	11.3/32	11.11/32
A-O	2.5/32	2.13/64	2.1/4	2.19/64	2.21/64
A-P	12.19/32	12.27/32	13.3/32	13.11/32	13.19/32
A-Q	12.41/64	12.7/8	13.3/32	13.21/64	13.17/32
A-R	28.41/64	29.5/8	31.7/64	32.19/32	34.37/64
A-S	19.3/32	19.33/64	20.1/64	20.17/32	21.9/64
A-T	4.1/8	4.3/8	4.3/4	5.1/8	5.5/8
A-U	23.00	23.21/32	24.17/32	25.13/32	26.33/64
A-V	59.1/8	60.15/32	62.1/4	64.1/32	66.19/64
A-W	5.51/64	5.29/32	6.00	6.7/64	6.13/64
A-X	12.3/16	12.7/16	12.11/16	12.15/16	13.3/16
A-Y	10.1/32	10.9/32	10.17/32	10.25/32	11.1/32
A-Z	1.53/64	1.7/8	1.29/32	1.61/64	1.63/64
A-A1	3.00	3.00	3.00	3.00	3.00
A-A2	13.51/64	14.19/64	15.1/32	15.49/64	16.3/4

MACHXLE COLLECTION

POINTS OF MEASURE

PROTO#	KTL2001	SIZE RANGE:	Missy, 4-18
STYLE#	SP1501	SAMPLE SIZE:	8
SEASON:	Spring 2015	DESIGNER:	Kathy Le
	A-Line Pleated		
	Asymmetrical		
NAME:	Skirt	DATE FIRST SENT:	Feb 23 2015
FIT TYPE:	Relax	DATE REVISED:	Feb 24 2015
			Woven Cotton
BRAND:	MachXLe	FABRICATION:	Polyester Blend
STATUS:	Prototype-1		



MACHXLE COLLECTION






BILL OF MATERIALS

PROTO# KTL2001	SIZE RANGE: Missy, 4-18
STYLE# SP1501	SAMPLE SIZE: 8
SEASON: Spring 2015 A-Line Pleated Asymmetrical	DESIGNER: Kathy Le
NAME: Skirt	DATE FIRST SENT: Feb 23 2015
FIT TYPE: Relax	DATE REVISED: Feb 24 2015
BRAND: MachXLe	FABRICATION: Polyester Blend
STATUS: Prototype-1	

ITEM/ Description	CONTENT	PLACEMENT	SUPPLIER	WIDTH/ WEIGHT/ SIZE	FINISH	QUANTITY
Woven Cotton Polyester Blend Lightweight Fabric	75% Polyester 25% Cotton	Body	--	W: 59 L: 32.36	Laundered	1
Zipper, Invisible		Right Waist	--	6''		1
Interlining Woven Fusable	--	Waistband Length of Zipper Placement	--		--	--
Lightweight Polyester Lining	100% Polyester	Front Left Skirt Panel/Back Right Skirt Panel	--	W: 50 L: 16.11	--	1

MACHXLE COLLECTION**PIECES TABLE**

PROTO#	KTL2001	SIZE RANGE:	Missy, 4-18
STYLE#	SP1501	SAMPLE SIZE:	8
SEASON:	Spring 2015	DESIGNER:	Kathy Le
	A-Line Pleated Asymmetrical		
NAME:	Skirt	DATE FIRST SENT:	Feb 23 2015
FIT TYPE:	Relax	DATE REVISED:	Feb 24 2015
			Woven Cotton
BRAND:	MachXLe	FABRICATION:	Polyester Blend
STATUS:	Prototype-1		

Piece Name	Material	Quantity	Pair	Opposite	Rotation	Piece Image
Waistband II	S, I	1	0	None	1-Way	
Front Left Skirt	S, L	1	0	None	1-Way	
Front Right Skirt	S	1	0	None	1-Way	
Back Left Skirt	S	1	0	None	1-Way	
Back Right Skirt	S, L	1	0	None	1-Way	

MACHXLE COLLECTION**CONSTRUCTION PAGE**

PROTO#	KTL2001	SIZE RANGE:	Missy, 4-18
STYLE#	SP1501	SAMPLE SIZE:	8
SEASON:	Spring 2015	DESIGNER:	Kathy Le
	A-Line Pleated Asymmetrical		
NAME:	Skirt	DATE FIRST SENT:	Feb 23 2015
FIT TYPE:	Relax	DATE REVISED:	Feb 24 2015
			Woven Cotton
BRAND:	MachXLe	FABRICATION:	Polyester Blend
STATUS:	Prototype-1		

Cutting Information: 1 Way Lengthwise					
Match Horizontal: N/A					
Match Vertical: N/A					
Match, Other: N/A					
Stitches per inch (SPI) 11 +/- 1 for joining +/- for topstitching					
AREA	DESCRIPTION	JOIN STITCH	SEAM FINISH	TOPSTITCH	INTER-LINING
Right Front Pleat	Join	5TSafe	Efd	--	
Front Right and Left Panel	Join	5TSafe	Efd	--	
Back Left and Right Panel	Join	5TSafe	Efd	--	
Short Length Front Right & Back Left	Join	5TSafe	Efd	--	
Waistband to Skirt Body	Join & TS	5TSafe	--	1/16	Fusible
Front Left Lining Panel W/ Back Right Lining Panel	Join	Blind hem	Efe	At 1 ½"	
Hem	Hem	Blind hem		At 1 ½"	
CLOSURES					
Side Zipper	Join	SN-L, inv zip method	--		Fusible

MACHXLE COLLECTION

GRADE GUIDE

PROTO# KTL2001	SIZE RANGE: Missy, 4-18
STYLE# SP1501	SAMPLE SIZE: 8
SEASON: Spring 2015 A-Line Pleated Asymmetrical	DESIGNER: Kathy Le
NAME: Skirt	DATE FIRST SENT: Feb 23 2015
FIT TYPE: Relax	DATE REVISED: Feb 24 2015 Woven Cotton
BRAND: MachXLe	FABRICATION: Polyester Blend
STATUS: Prototype-1	

	6	8	10	12
A-A	0.28	0.44	0.42	0.58
A-B	0.25	0.38	0.38	0.50
A-C	0.13	0.17	0.17	0.23
A-D	0.02	0.03	0.03	0.03
A-E	0.13	0.20	0.19	0.27
A-F	0.38	0.50	0.50	0.63
A-G	0.09	0.13	0.13	0.16
A-H	0.02	0.02	0.02	0.03
A-I	0.25	0.31	0.31	0.41
A-J	0.25	0.31	0.31	0.41
A-K	0.34	0.44	0.44	0.56
A-L	0.72	0.94	0.94	1.3/16
A-M	0.30	0.31	0.31	0.34
A-N	0.25	0.25	0.25	0.25
A-O	0.05	0.05	0.05	0.05
A-P	0.25	0.25	0.25	0.25
A-Q	0.23	0.22	0.22	0.22
A-R	0.98	1.31/64	1.31/64	1.63/64
A-S	0.42	0.50	0.52	0.63
A-T	0.25	0.38	0.38	0.50
A-U	0.66	0.88	0.88	1.7/64
A-V	1.11/32	1.25/32	1.25/32	2.17/64
A-W	0.11	0.09	0.11	0.09
A-X	0.25	0.25	0.25	0.25
A-Y	0.25	0.25	0.25	0.25
A-Z	0.03	0.03	0.03	0.03
A-A1	0.00	0.00	0.00	0.00
A-A2	0.48	0.73	0.73	0.98

MACHXLE COLLECTION

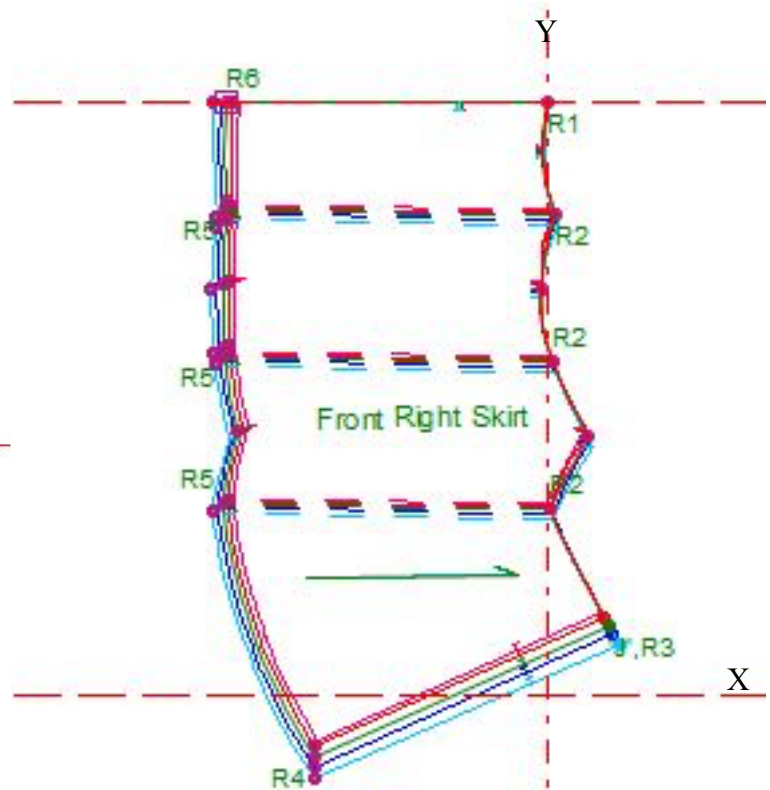
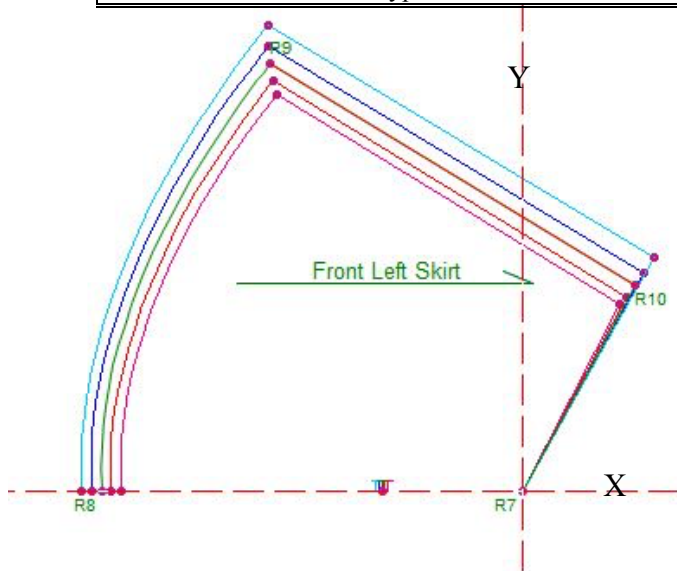
RULE TABLE

PROTO# KTL2001	SIZE RANGE: Missy, 4-18
STYLE# SP1501	SAMPLE SIZE: 8
SEASON: Spring 2015 A-Line Pleated Asymmetrical	DESIGNER: Kathy Le
NAME: Skirt	DATE FIRST SENT: Feb 23 2015
FIT TYPE: Relax	DATE REVISED: Feb 24 2015
BRAND: MachXLe	FABRICATION: Woven Cotton Polyester Blend
STATUS: Prototype-1	

Rule Name	Size Names									
	4		6		8		10		12	
	dx	dy	dx	dy	dx	dy	dx	dy	dx	dy
R1	0	- 1/64	0	0	0	0	0	0	0	0
R2	- 1/32	7/64	- 3/64	11/64	0	0	1/16	- 11/64	1/16	- 15/64
R3	- 1/8	13/64	- 3/16	21/64	0	0	3/16	- 21/64	1/4	- 7/16
R4	3/32	19/64	1/32	25/64	0	0	- 1/64	- 25/64	3/64	- 1/2
R5	7/32	3/32	7/32	1/8	0	0	- 13/64	- 1/8	- 13/64	- 5/32
R6	1/4	- 1/64	1/4	0	0	0	- 1/4	0	- 1/4	0
R7	0	0	0	0	0	0	0	0	0	0
R8	1/4	0	1/4	0	0	0	- 1/4	0	- 1/4	0
R10	- 9/64	- 13/64	- 7/32	- 19/64	0	0	7/32	19/64	19/64	13/32
R11	- 1/32	- 5/16	- 1/8	- 23/64	0	0	1/8	3/8	7/32	7/16
R12	- 13/64	- 5/32	- 19/64	- 15/64	0	0	19/64	15/64	25/64	5/16
R13	- 3/64	1/4	- 1/16	3/8	0	0	1/16	- 3/8	5/64	- 1/2
R14	1/4	1/4	1/4	3/8	0	0	- 1/4	- 3/8	- 1/4	- 1/2
R15	- 29/64	0	- 43/64	0	0	0	43/64	0	57/64	1/64
R16	17/32	0	13/16	0	0	0	- 13/16	0	-1.5/64	0
R10	- 9/64	- 13/64	- 7/32	- 19/64	0	0	7/32	19/64	19/64	13/32

MACHXLE COLLECTION
RULE TABLE PATTERN ORIENTATION

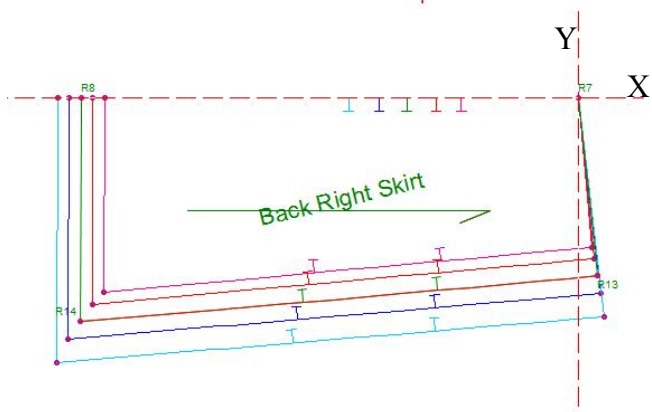
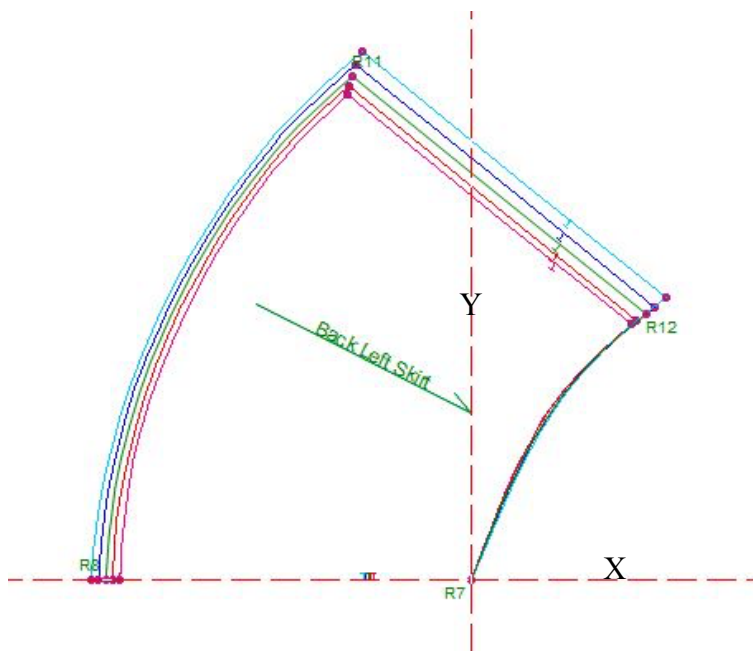
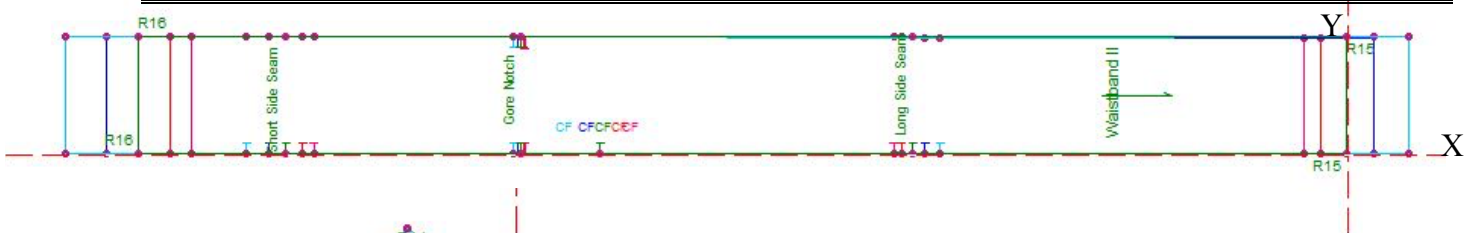
PROTO#	KTL2001	SIZE RANGE:	Missy, 4-18
STYLE#	SP1501	SAMPLE SIZE:	8
SEASON:	Spring 2015	DESIGNER:	Kathy Le
	A-Line Pleated		
	Asymmetrical		
NAME:	Skirt	DATE FIRST SENT:	Feb 23 2015
FIT TYPE:	Relax	DATE REVISED:	Feb 24 2015
			Woven Cotton
BRAND:	MachXLe	FABRICATION:	Polyester Blend
STATUS:	Prototype-1		



MACHXLE COLLECTION

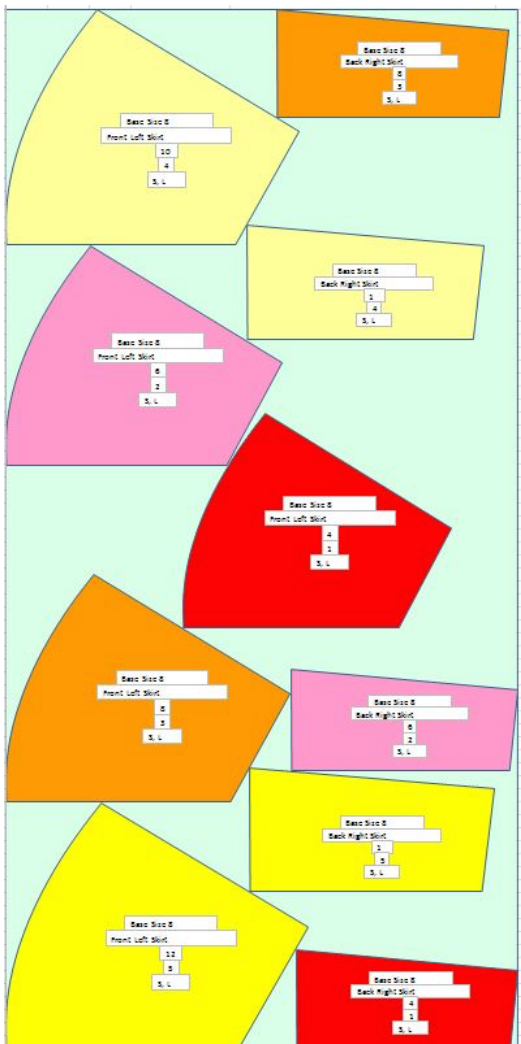
RULE TABLE PATTERN ORIENTATION

PROTO#	KTL2001	SIZE RANGE:	Missy, 4-18
STYLE#	SP1501	SAMPLE SIZE:	8
SEASON:	Spring 2015	DESIGNER:	Kathy Le
	A-Line Pleated		
	Asymmetrical		
NAME:	Skirt	DATE FIRST SENT:	Feb 23 2015
FIT TYPE:	Relax	DATE REVISED:	Feb 24 2015
			Woven Cotton
BRAND:	MachXLe	FABRICATION:	Polyester Blend
STATUS:	Prototype-1		



MACHXLE COLLECTION MARKER REPORT

PROTO# KTL2001	SIZE RANGE: Missy, 4-18
STYLE# SP1501	SAMPLE SIZE: 8
SEASON: Spring 2015 A-Line Pleated Asymmetrical	DESIGNER: Kathy Le
NAME: Skirt	DATE FIRST SENT: Feb 23 2015
FIT TYPE: Relax	DATE REVISED: Feb 24 2015
BRAND: MachXLe	Woven Cotton
STATUS: Prototype-1	FABRICATION: Polyester Blend

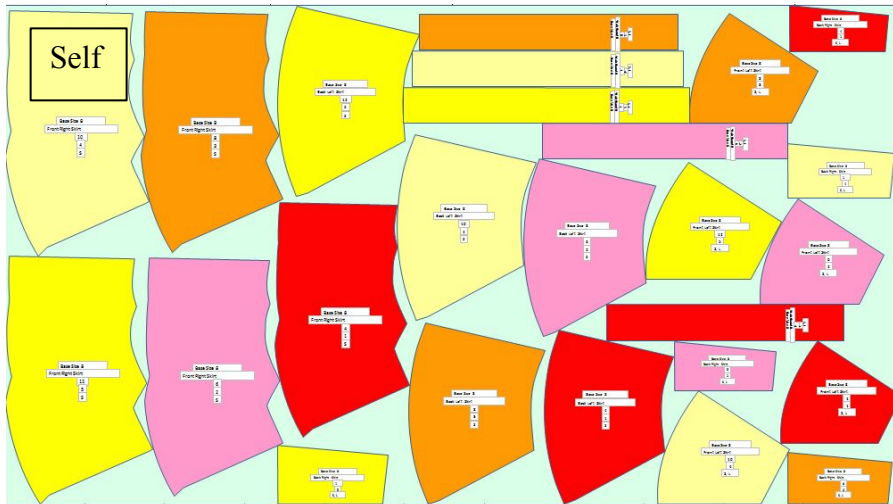


Lining for
Full Size Run

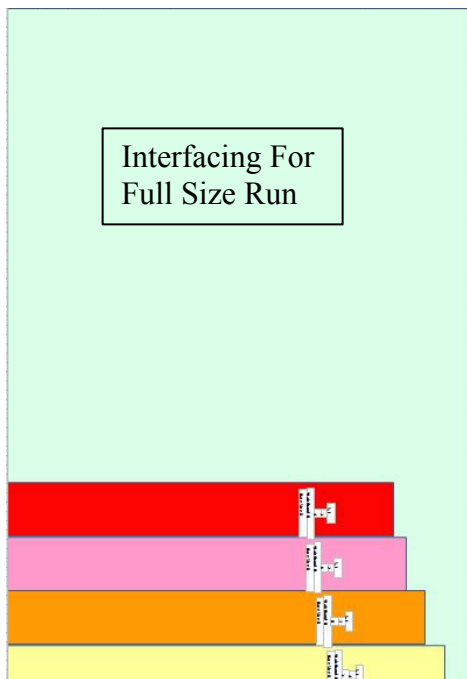
Efficiency	62.43
Yield	6.08

MACHXLE COLLECTION MARKER REPORT

PROTO# KTL2001	SIZE RANGE: Missy, 4-18
STYLE# SP1501	SAMPLE SIZE: 8
SEASON: Spring 2015 A-Line Pleated Asymmetrical	DESIGNER: Kathy Le
NAME: Skirt	DATE FIRST SENT: Feb 23 2015
FIT TYPE: Relax	DATE REVISED: Feb 24 2015
BRAND: MachXLe	Woven Cotton
STATUS: Prototype-1	FABRICATION: Polyester Blend



Efficiency	75.93
Yield	23.60



Efficiency	32.73
Yield	7.52